

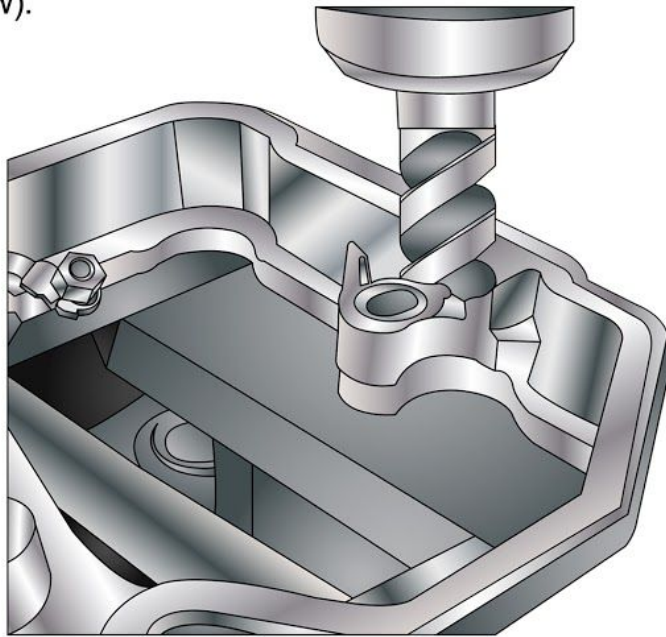


TRACKTECH

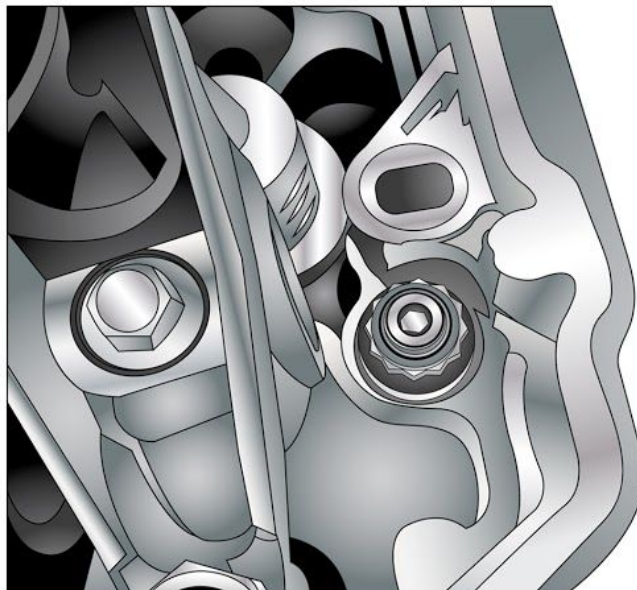
RACE-PROVEN FASTENERS

PAGE 2: INSTALLATION ON '98.5-'19 CUMMINS 24V 5.9L/6.7L - PART #TTC98520HS10

Note: It will be necessary to machine the lower rocker arm cover at the #24 bolt hole location in the torque sequence to facilitate installation of the lower rocker arm cover (see illustrations below).



Remove material as necessary to allow clearance for the stud, nut and washer.



Finished machining should allow easy removal and installation of the head stud.